

360 DEGREE ROTATION SYSTEM

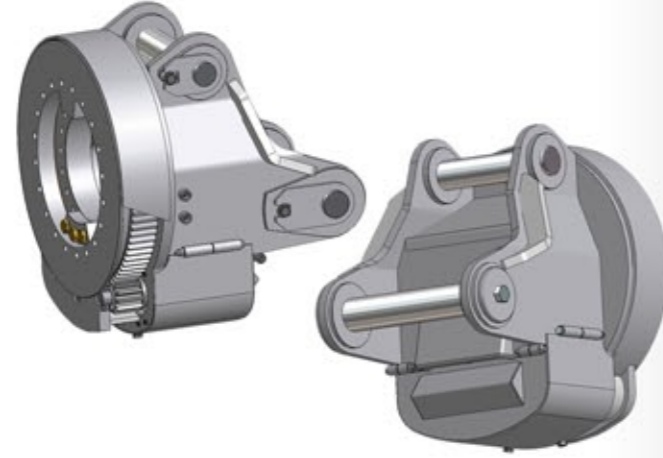
-PATENT PENDING-

Manageable design :
Offers a visibility for selective cutting

Powerful :
Assembled with orbital motors
for a superior torque

Reliable :
Motors are connected in parallel

Versatile :
May be adapted to all saw head makes



We have four 360° models available:

Models	GN4500-M	GN4900-M	GN5300-M	GN5600-M
Height	36"	36"	36"	36,5"
Width	28,5"	28,5"	28,5"	32,5"
Depth	29"	29"	29"	29"

Also Available: 40 Degree Rotation System

Activated by a 5" cylinders
Available for all makes and
models of carriers. 5"



FELLING HEADS SPECIFICATIONS

Model:		4500	4900	5300	5600
Dimensions:	Cutting capacity:	18"	20"	22"	24"
	Accumulating capacity:	3.53 sq.ft.	4.02 sq.ft.	4,95 sq.ft.	5,63 sq.ft.
	Height:	100½"	106"	112"	117 ¼"
	Width:	51½"	52"	60½"	60 1/2"
	Depth:	53½"	57.5"	65½"	70¾"
	Maximal opening at basket:	36¼"	40"	40½"	43"
Blade and tooth:	Saw blade (diameter)	45"	49"	53"	56"
	Number of teeth:	19	20	20	22
	Cutting wight:	2 1/8"	2 1/8"	2 1/8"	2 1/8"
	Support plate:	5/8"	5/8"	3/4"	3/4"
	Saw motor:	Rexroth 160 cc	Rexroth 160 cc	Rexroth 160 cc	Rexroth 160 cc
Hydraulic:	Cylinders (diameter):	3½"	3½"	4"	3¼"
	Grab arms actionned by:	1cyl.	1cyl.	1cyl.	2cyl.
	Equipped with :	1 synchronizing arm			
	Accumulating arms actionned by:	1cyl.	1cyl.	1cyl.	1cyl.
	Equipped with :	1 synchronizing arm			
Rotation	Rotation system:	Activated by hydraulic motors mounted on pignons			
	Rotation degrees:	40 or 360 deg.	40 or 360 deg.	40 or 360 deg.	40 or 360 deg.
	Number of motors:	3 motors	3 motors	3 motors	4 motors
	Maximum torque :	41,512	41,512 pds/ft.	41,512 pds/ft.	53,983 pds/ft.
Weight:	Weight witout rotation:	3750 pds.	4250 pds.	4750 pds.	5950 pds.
	Total weight with 40 ° Rotation:	4500 pds.	5000 pds.	5500 pds.	6700 pds.
	Total weight with 360 ° Rotation:	5100 pds.	5600 pds.	6100 pds.	7300 pds.

* Specifications are subject to change without notice.

HIGH SPEED FELLING HEADS

MODELS

4500 (18")

4900 (20")

5300 (22")

5600 (24")

IT'S ALL IN THE HEAD



www.gnroy.com

761, avenue du Parc, Amos (Québec) J9T 4M1

Phone: 1 866 732-8871

Fax: 819 732-9667

EMAIL: info@gnroy.net



CIRCULAR SAW HEAD

Certain options are different according to model, please check characteristics.

Handy, Reliable, Productive

IT'S ALL IN THE HEAD



Heavy-Duty Tower

- The structure of the tower has been reinforced.
- New wider angle facilitates getting tress into tower.



Efficient Accumulator Grab Arms

- A unique curve helps Grab Arms to hold trees.
- Clearance when closed : 5"
- Clearance when accumulators closed : 4"



Versatile Hydraulic System
OPTION 1

- Option 1 : Hoses installed on each side of head and coupled with rotary joints.
- Hoses are protected with a heavy-duty cover and are easily accessible.



Versatile Hydraulic System
OPTION 2

- Option 2 : Hoses can be passed through the center of the adapter and coupled with rotary joints.
- Easy access to hydraulic hoses.



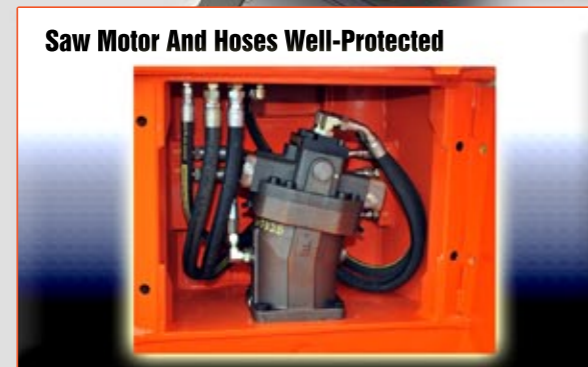
Easy Access To Cylinders

- Cylinders and hoses are easily accessible and protected against chaffing.



Productive Circular Saw

- 2-1/8" teeth made with two round cuts for better cutting and clearing of chips.
- Holders are machined right into the saw blade.



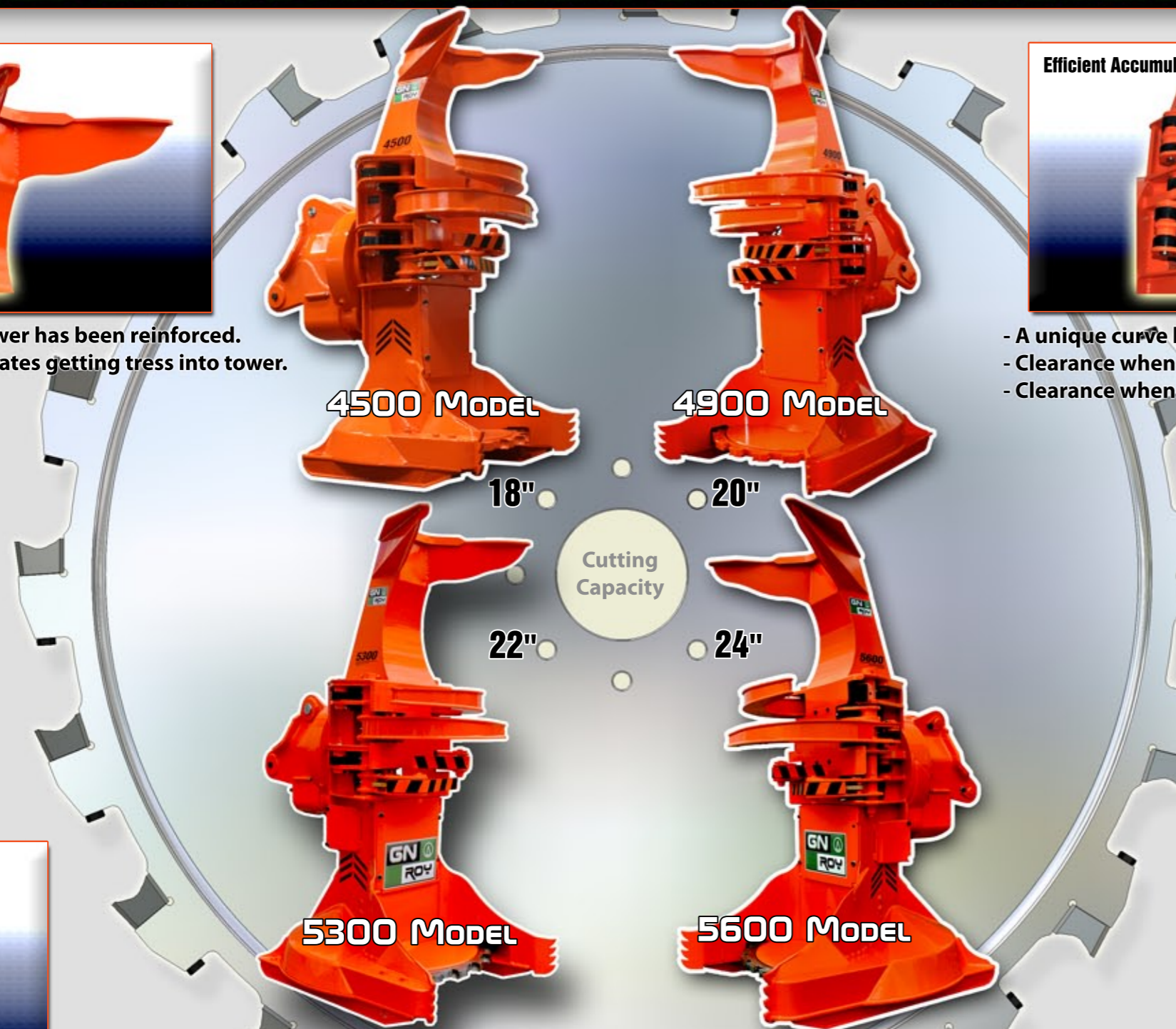
Saw Motor And Hoses Well-Protected

- A large easily accessed compartment for the saw motor and associated hoses.



Large Basket

- A new basket with a wider angle gets wood into the basket.
- The support plate is bolted to facilitate changing.



ULTRA HIGH TORQUE

HOLDERS MACHINED INTO THE BLADE



The Best One-piece Blades on the Market

Also Available: Blade With Welded Holders (Economic Model)
And Our New Saw Model With Bolted Segment

HEAVY-DUTY TEETH FOR SEVERE APPLICATIONS
Sharp, Versatile and Economic



Teeth from 2" 1/8 to 2" 1/4 , made with two round cuts to easily cut and clear the wood chips while cutting.

GN Roy teeth have an imposing depth and cross-section for maximum resilience. They are machined to leave as much material as possible in the concave side of the teeth making them more solid. The quality of the cutting edge improves the performance of the saw. They are made with 2 round cuts that help clearing the wood chips while cutting..